



Model Number

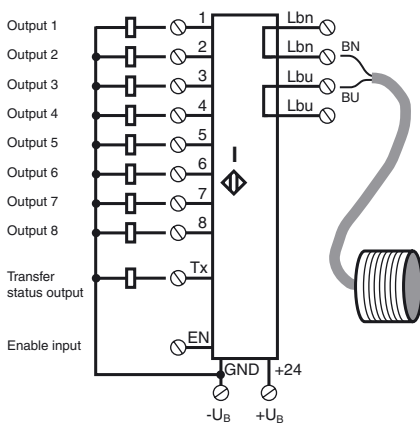
NDP-KE2-8E2-FP

Features

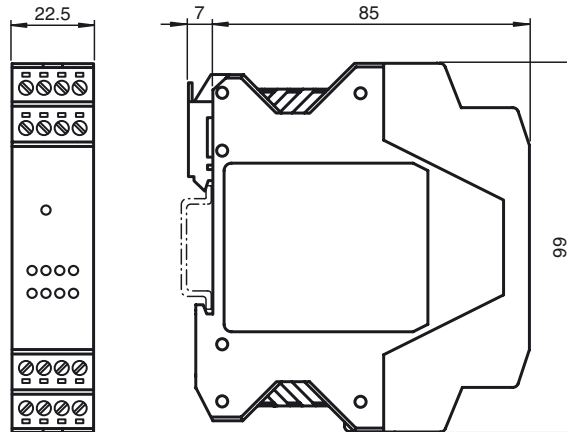
- 8 channels
- 9 outputs
- LEDs for display of the output states and communication
- Deactivation option
- Housing with removable terminals
- DIN rail mounting

Electrical Connection

Connection:



Dimensions



Technical Data

Nominal ratings

Operating voltage U_B	24 V DC \pm 10 %
Number of signal channels	8
Signal transfer direction	from secondary side to primary side
Reverse polarity protection	reverse polarity protected
Current consumption	max. 1000 mA

Indicators/operating means

Switching state	8 x LED, yellow
Transfer indicator Tx	LED, green

Input

Number	1
Input type	Activation input signal level: \geq 15 V = active, \leq 3 V inactive
Input current	\leq 1 mA
Internal resistor	\geq 15 k Ω

Output

Output type	1 Status output (high with proper transfer) and 8 Switch outputs PNP, NO. (switched high), overload and short-circuit resistant
Load current	max. 50 mA
Response time	\leq 200 ms (static operation , the transmission heads stand opposite to each other)

Ambient conditions

Ambient temperature	0 ... 50 °C (32 ... 122 °F)
Storage temperature	-25 ... 85 °C (-13 ... 185 °F)

Mechanical specifications

Protection degree	IP20
Material	
Housing	PA 66-FR
Installation	DIN rail mounting
Mass	106 g

Release date: 2011-02-08 09:54 Issue date: 2011-02-08 22:14:18_ENG.xml



Release date: 2011-02-08 09:54 Issue date: 2011-02-08 22:14:18_ENG.xml

Subject to modifications without notice

Pepperl+Fuchs Group
www.pepperl-fuchs.com

USA: +1 330 486 0001
fa-info@us.pepperl-fuchs.com

Germany: +49 621 776-4411
fa-info@pepperl-fuchs.com

Copyright Pepperl+Fuchs
Singapore: +65 6779 9091
fa-info@sg.pepperl-fuchs.com