

BUILT TOUGH

**METAL FACE ULTRASONIC SENSOR
UMC3000**



For harsh use in various applications

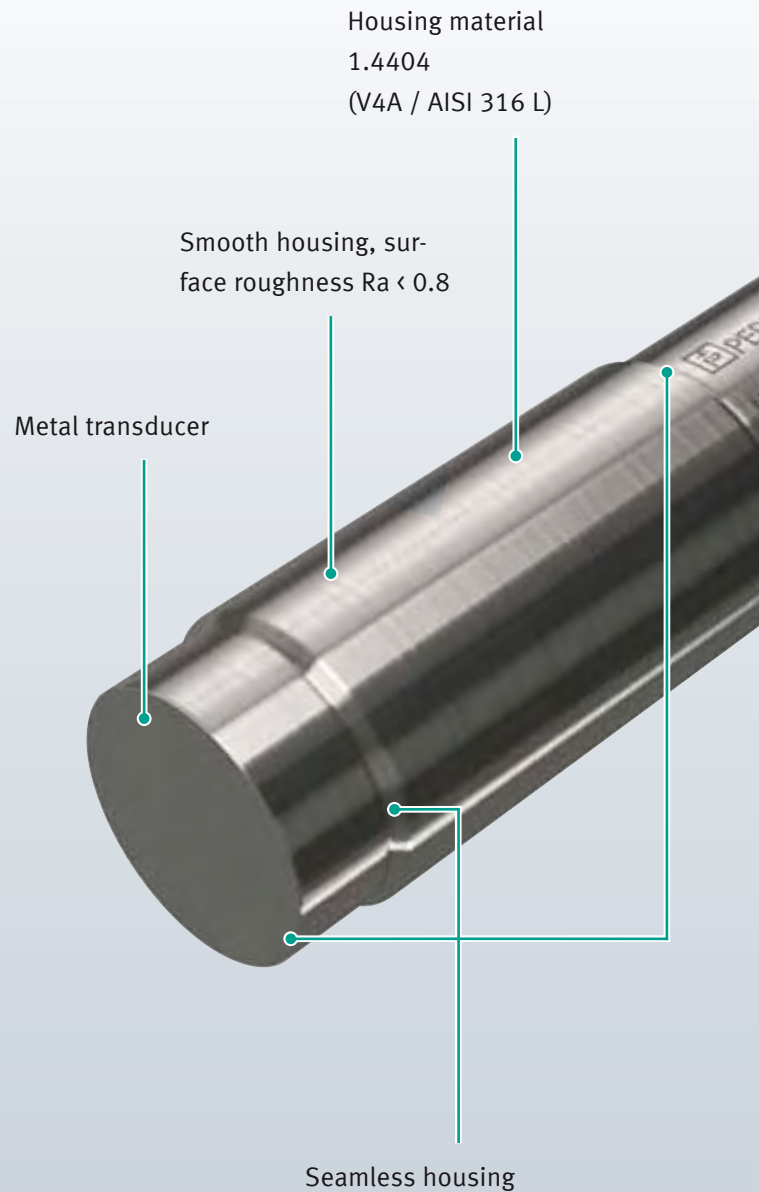
in the food or commercial vehicle sectors

The UMC3000 is the right choice, especially for applications where the sensor is subject to high humidity and needs to be resistant to contamination. The surface of the housing as well as the shape are constructed smoothly and without gaps so the sensor meets the strict requirements for the food industry.

The user does not even have to do without an LED display with this extremely impermeable sensor. The LED window is made from a pharmaceutical and food-safe plastic that is resistant to all common chemical detergents.

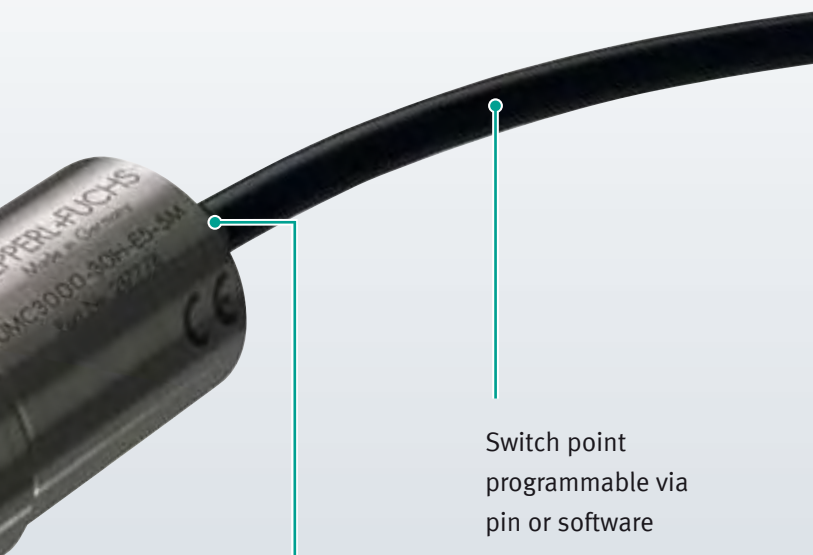


Also available with M30 x 1.5 threaded housing



CUSTOMER BENEFITS

- Ultrasonic sensor with metal face transducer
- 200 ... 3000 mm sensing range
- Robust and impermeable IP68/IP69k design
- Housing material 1.4404 (V4A)/ AISI 316L
- Smooth housing with surface roughness $Ra < 0.8$
- Constructed according to the EHEDG guidelines for hygienic design*



Switch point
programmable via
pin or software



Cable bushing
designed as
chemically
resistant
LED window



CHEMICALLY RESISTANT

Resistant to chemical
detergents and insensitive
to extreme environmental
influences



IMPERMEABLE

IP68/IP69k
Pressure-resistant



TEMPERATURE RESISTANT

Can be used in a wide
temperature range from
 -25 °C to $+60\text{ °C}$



MECHANICALLY ROBUST

Stable and corrosion
resistant V4A housing



HYGIENIC DESIGN

The smooth housing and
seamless transitions guarantee
maximum hygiene in the food
sector. Designed according to
the EHEDG guidelines *

* EHEDG = European Hygienic
Engineering & Design Group

METAL FACE ULTRASONIC SENSOR UMC3000

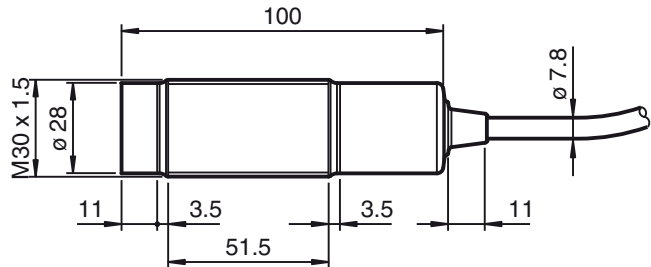
TECHNICAL DATA AND PRODUCT SELECTION

ELECTRICAL DATA

Sensing range	200 to 3000 mm
Output types	Switch or current output
Operating voltage	10 to 30V

MECHANICAL DATA

Degree of protection	IP68/IP69k
Connection	5 m cable
Housing material	1.4404 (V4A)/AISI 316L
Transducer material	1.4404 (V4A)/AISI 316L
Surface roughness	Ra < 0.8
Temperature range	-25 °C to +60 °C



MODEL NUMBER	DESCRIPTION
UMC3000-30H-E5-5M	Smooth housing, PNP switch output (NO/NC selectable)
UMC3000-30H-I-5M	Smooth housing, current output (4 to 20 mA)
UMC3000-30GH-E5-5M	Threaded housing, PNP switchoutput (NO/NC selectable)
UMC3000-30GH-I-5M	Threaded housing, current output (4 to 20 mA)

For more information on our UMC3000 Metal Face ultrasonic sensor, visit:

www.pepperl-fuchs.com/umc3000

Contact

Pepperl+Fuchs GmbH
Lilienthalstraße 200
68307 Mannheim · Germany
Tel. +49 621 776-4411 · Fax +49 621 776-27-4411
E-mail: fa-info@pepperl-fuchs.com

Worldwide Headquarters

Pepperl+Fuchs GmbH · Mannheim · Germany
E-mail: fa-info@pepperl-fuchs.com

USA Headquarters

Pepperl+Fuchs Inc. · Twinsburg, OH · USA
E-mail: fa-info@us.pepperl-fuchs.com

Asia Pacific Headquarters

Pepperl+Fuchs Pte Ltd · Singapore
Company Registration No. 199003130E
E-mail: fa-info@sg.pepperl-fuchs.com

www.pepperl-fuchs.com

PEPPERL+FUCHS
SENSING YOUR NEEDS